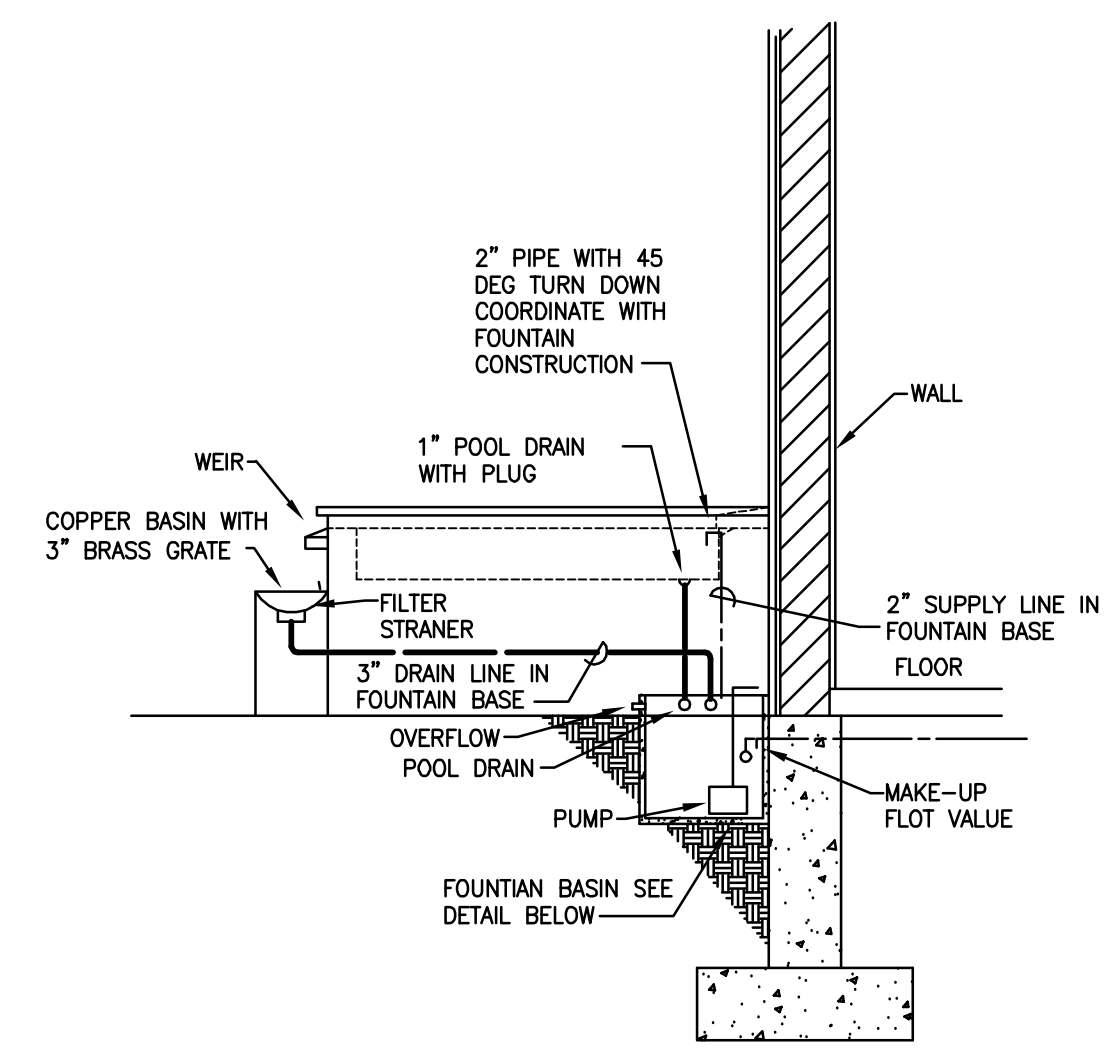
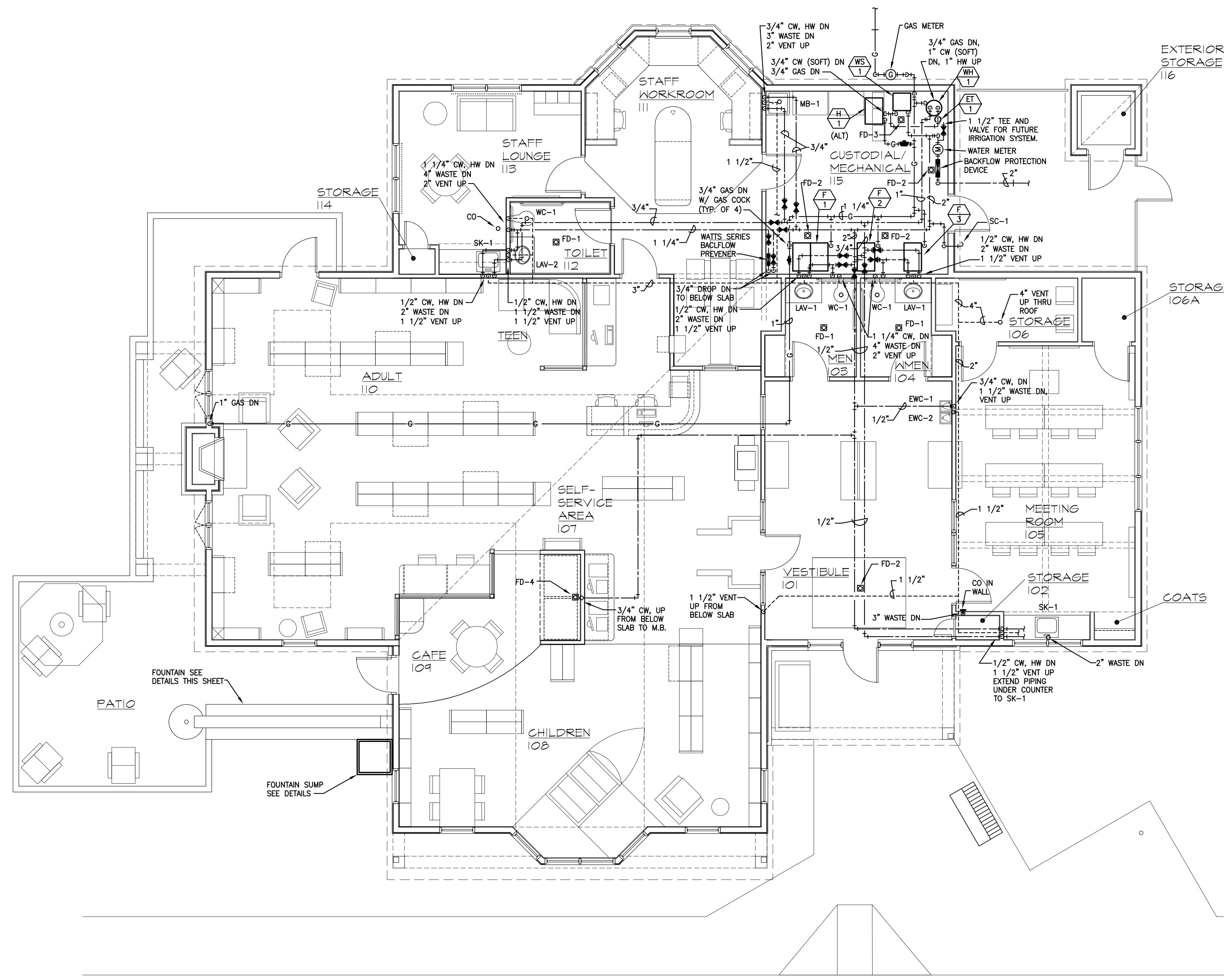
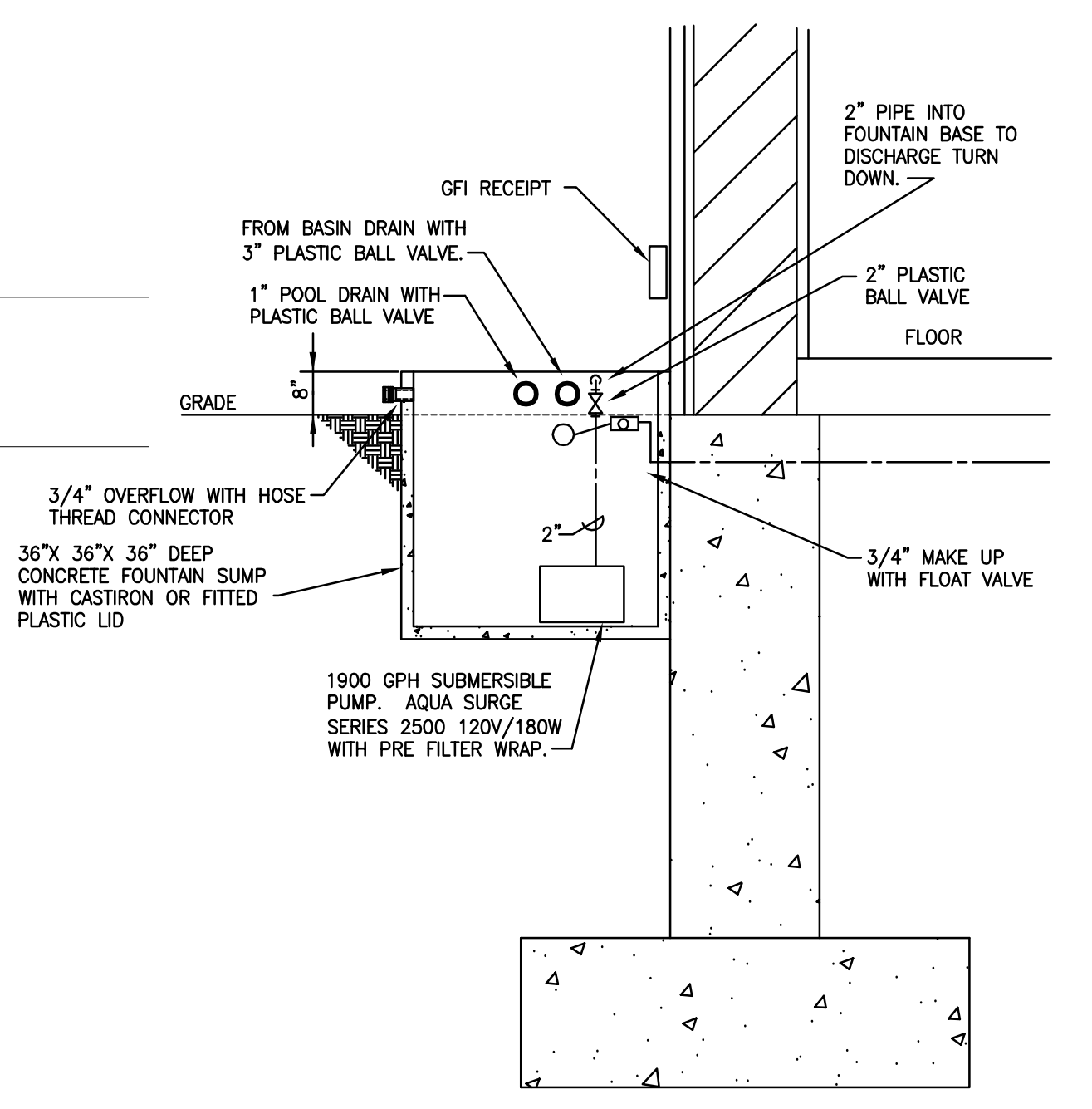


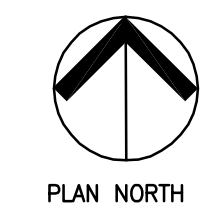
Thomas R. Cook



FOUNTAIN SECTION DETAIL
 NOT TO SCALE



PUMP SECTION DETAIL
 NOT TO SCALE



PLUMBING PLAN
 SCALE: 3/16" = 1'-0"

PLAN NORTH

DATE: 4/11/06
 REV: 4/14/06
 DRAWN BY: J.H.

SHEET NO.
M1.2